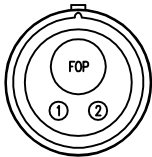
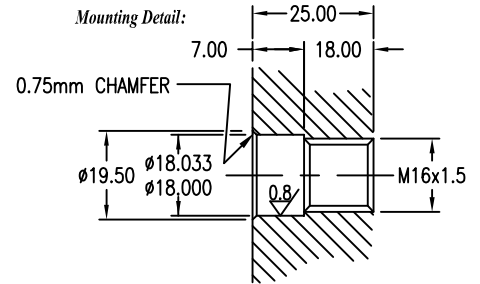
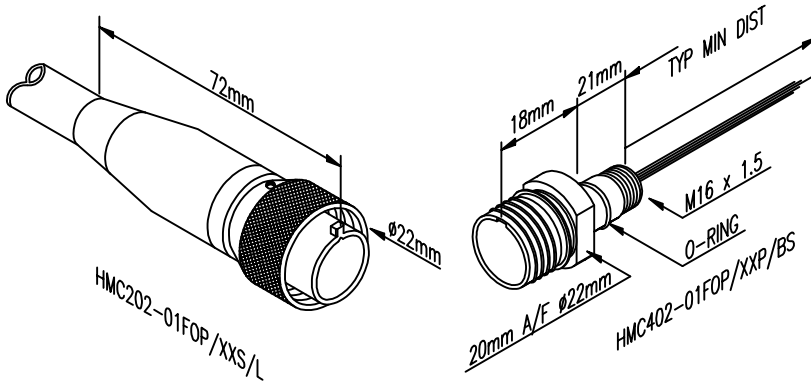




HMC (Hydrobond Miniature Connector) Surface Mateable Connector Fibre Optic & Low Voltage HMC_02-01FOP/XX

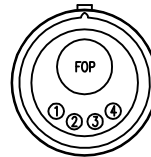


FACE VIEW

HMC202
01FOP/02S

Electrical and Environmental:

Pin/Socket Max Current Rating: 8 Amps
Conductor Tail Size: 22 AWG
Solder Bucket Size: 0.8 mm dia
Electrical Contacts: 02 Way
Fibre Optic Contacts: 01 Way



FACE VIEW

HMC202
01FOP/04S

Electrical and Environmental:

Pin/Socket Max Current Rating: 6 Amps
Conductor Tail Size: 22 AWG
Solder Bucket Size: 0.8 mm dia
Electrical Contacts: 04 Way
Fibre Optic Contacts: 01 Way

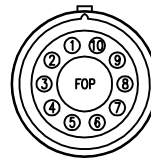


FACE VIEW

HMC202
01FOP/06S

Electrical and Environmental:

Pin/Socket Max Current Rating: 6 Amps
Conductor Tail Size: 22 AWG
Solder Bucket Size: 0.8 mm dia
Electrical Contacts: 06 Way
Fibre Optic Contacts: 01 Way



FACE VIEW

HMC202
01FOP/10S

Electrical and Environmental:

Pin/Socket Max Current Rating: 6 Amps
Conductor Tail Size: 22 AWG
Solder Bucket Size: 0.8 mm dia
Electrical Contacts: 10 Way
Fibre Optic Contacts: 01 Way

Standard Specification:

Pin /Socket Test Voltage: 1,000 V rms

Conductor Tails: Spec 44 x 1.0M

Mated Depth Rating: 1,250 MSW

Temperature Rating: -20 °C to +60 °C

Fibre Optic - Single Mode - 9/125µm

Fibre Optic - Multi Mode - 50/125; 62.5/125µm

Typical Fibre Optic Losses - 0.5dB per mated pair.

Body: BS 316L - Stainless Steel

Fix Ring: Aluminium Silicon Bronze

Backshell: BS 316L - Stainless Steel

Contact Pins: Brass (UNS C 38500)

Contact Sockets: Bronze (UNS C 54400), Cu-Be (FS QQ-C-530)

O-Rings: NI70